

# Plate and Frame Filter

## BECO COMPACT® PLATE 400

1 A 2.6.22.1 WP  
02/2007

### Filtration System using Depth Filter Sheets for Particle, Sterile and Precoating Filtration

The BEGEROW depth filtration system for liquids with large variability using different filter elements and a wide range of different BEGEROW depth filter sheets for applications within the foodstuff industry, biotechnology and chemical/cosmetics industry.

The BECO COMPACT® PLATE 400 is a particularly high-class multi sheet filter with premium equipment.

#### Special Features

- ▶ **High flexibility** through the simple adaptation of the filter area (from 0.28 to 17.92 m<sup>2</sup>) to the respective application.
- ▶ **Variable application options** through the use of filtrate plates, unfiltrate plates and cake frames. The filter can be used as sheet filter, precoating filter or as a combination of both.
- ▶ **Easy handling and good cleanability** thanks to ergonomic design, smooth surfaces and open support grid of filter plates.
- ▶ **Low dripping loss** due to the compact design of the filter and a larger spindle. Alternatively available with manual hydraulic or electro-hydraulic control.
- ▶ **Wide range of accessories** such as fittings and riser pipes complement the system to a unit ready for connection.

**Other designs** and further components for expansion to complete systems are available depending on requirements.

#### Technical Data

Operating pressure	max. 600 kPa (6 bar)
Differential pressure:	max. 400 kPa (4 bar)
Operating temperature:	max. 121 °C
	Depending on the filter plates used
Filter area per sheet:	0,014 m <sup>2</sup>

#### Materials:

Product contacting parts:	
Filter plates:	1.4404 or Noryl
Filter frames:	1.4301 or 1.4404
Chassis:	1.4301 or 1.4404
Sealings:	Silicone, alternatively Viton

#### Connections:

Inlet:	DN 40, DIN 11851
Outlet:	DN 40, DIN 11851

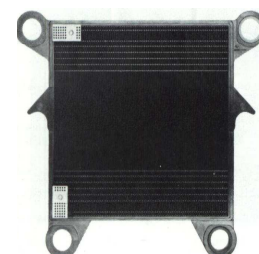
Filter elements:		Cake volume*	Weight
Filtrate plate,	8 mm	-	2,5 kg
Unfiltrate plate	8 mm	-	2,5 kg
Noryl plate	12 mm	-	1,5 kg
Cake frame	8 mm	0,42 l	1,5 kg
Cake frame	15 mm	1,40 l	2,4 kg
Cake frame	25 mm	2,80 l	3,8 kg
Cake frame	40 mm	4,90 l	6,0 kg

#### Other designs:

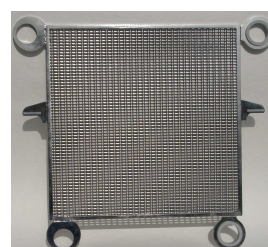
Flange connections DIN 2633, Tri-Clamp or according to requirements



Stainless steel filter frame



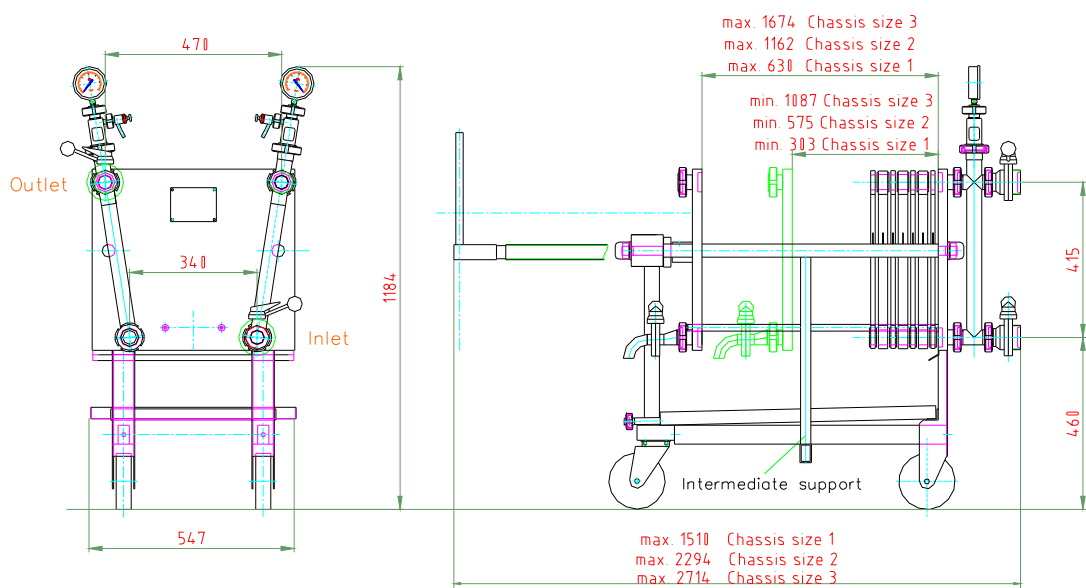
Plastic filter plate



Stainless steel filter plate

Design	Max. filter area	Unfiltrate space*	Chassis size	Filtrate/Unfiltrate elements or cake frames	Depth filter sheets	Weight
	m <sup>2</sup>	l	-	-	400 x 400 mm	≈ kg
<b>400 SF</b> with plastic elements	5,04	-	1	17/18	36	302
	9,52	-	2	33/34	68	369
	14,00	-	3	49/50	100	436
<b>400 SF</b> with stainless steel elements (8 mm)	6,44	-	1	22/23	46	317
	12,32	-	2	43/44	88	399
	17,92	-	3	63/64	128	478
<b>400 ASF</b> with 15 mm cake frames	5,04	25	1	17/18	36	318
	9,52	47	2	33/34	68	400
	14,00	70	3	49/50	100	481
<b>400 ASF</b> with 25 mm cake frames	3,92	39	1	13/14	28	322
	7,28	73	2	25/36	52	405
	10,64	106	3	37/38	76	487
<b>400 ASF</b> with 40 mm cake frames	2,80	49	1	9/10	20	323
	5,32	93	2	18/19	38	409
	7,84	137	3	27/28	56	496

\* usable unfiltrate volume



Intermediate support only for chassis size 3



Reg. No. 000480 QM

All information is given to the best of our knowledge. However, the validity of the information cannot be guaranteed for every application, working practice and operating condition. Misuse of the product will result in all warranties being voided. Reproduction, even in part, is permitted only with reference to the source. Subject to change in the interest of technical progress.